

Stallion Script Form

Fixed Frame Adjustable Wheelchair 90100



To Order Fill in the frame dimensions and features required. For variations describe in detail on a separate page. If you have any further questions contact us at the address at the bottom of the page.

SEND FORM
If online, click here to send via e-mail

Date _____

Name _____

Address _____

Phone _____

Fax / Cell _____

Email _____

Delivery details _____

Therapist details _____

Required by _____

Disability _____ Weight _____ Height _____ Shoe Size _____ T-Shirt Size _____

MEASUREMENTS (Refer to diagram)

Materials Aluminium (std) Titanium **90100T**

A Seat width 14" 15" 16" 17"
18" 19" 20"

A Custom seat width **AD10100**

B Seat depth 14" 16" 18" 20"

B Custom seat depth **AD10100**

B Growth in seat depth **AD10900**

C Back height _____

D Back angle° _____

E Seat to footplate _____

F Seat to floor - front _____

G Seat to floor - rear _____

H Balance Point _____

I Castor Pivot Position _____

J Castor Pivot Centres _____

Max User Weight

115kg for up to 17" seat width
165kg for 18" seat width and above

K Camber (0°-5°) _____

L Hanger Angle
 70° 80° (std) 90°

Back Style

Folding Back Fixed Back

Dynamic Rocker Back **AD10330**

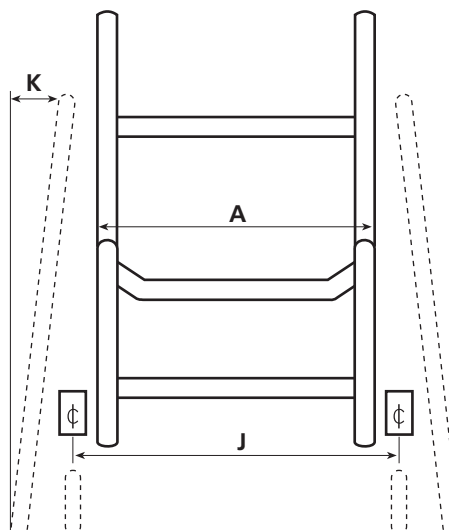
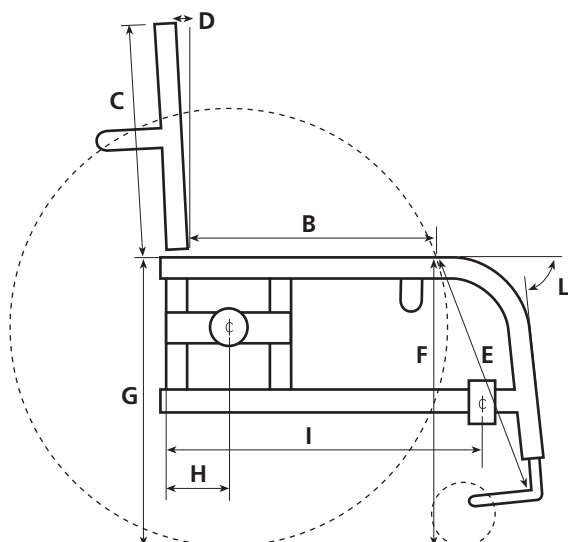
Additional user weight up to 165kg

Reinforced aluminium frame **AD10400**

Reinforced titanium frame **AD10410**

ADDITIONAL NOTES

(you can type here)



Stallion Script Form

Fixed Frame Adjustable Wheelchair

Name _____

HANGER TYPE

Swing Away



Fixed

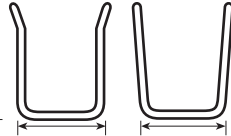


Drop In



FOOT-PLATE WIDTH

Width for Pro T and V style foot-plates



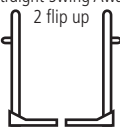
When measuring across feet you must add 2" (50mm)

Front taper standard foot-plate width measurements

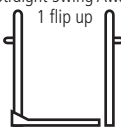
SEAT WIDTH	14"	16"	18"	20"
FOOT-PLATE WIDTH	12"	12"	13"	15"
	(305mm)	(305mm)	(340mm)	(381mm)

SWING AWAY FOOTREST

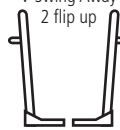
Straight Swing Away
2 flip up



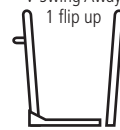
Straight Swing Away
1 flip up



V Swing Away
2 flip up



V Swing Away
1 flip up



Straight Hangers

2 piece, flip up angle adjustable alloy foot-plates (std)

V Hangers

1 piece, flip up angle adjustable alloy foot-plate, opens to the left **AD11555**

1 piece, flip up angle adjustable alloy foot-plate, opens to the right (pictured) **AD11555**

FIXED FOOTREST

Straight Fixed
D style
foot-plate



Straight Fixed
2 flip up



Straight Fixed
1 flip up



Pro T Fixed
D style
foot-plate



Pro T Fixed
2 flip up



Pro T Fixed
1 flip up



V Fixed
D style
foot-plate



V Fixed
2 flip up



V Fixed
1 flip up



Straight Hangers

D style foot-plate (std)

ABS on foot-plate (std)

Pro T Hangers

Angle adjustable foot-plate (std)

V Hangers

2 piece, flip up angle adjustable alloy foot-plates (std)

1 piece, flip up angle adjustable alloy foot-plate, opens to the left **AD11550**

1 piece, flip up angle adjustable alloy foot-plate, opens to the right (pictured) **AD11550**

DROP IN FOOTREST

Straight Drop In
D style
foot-plate



Pro T Drop In
D style
foot-plate



Straight Hangers

D style foot-plate (std)

ABS on foot-plate (std)

Pro T Hangers

Angle adjustable foot-plate (std)

ELEVATING LEG REST

Made for the Swing Away front only

Left **AD11610**

Right **AD11610**

Both **AD11600**

STUMP SUPPORT

Made for the Fixed and Swing Away fronts only

Left **AD11650**

Right **AD11650**

Both **AD11651**

Fixed

Removable

Stallion Script Form

Fixed Frame Adjustable Wheelchair

Name _____

CASTORS

- | | | | |
|--|--|--|---|
| <input type="checkbox"/> 4" solid composite (std) | <input type="checkbox"/> 5" solid composite (std) | <input type="checkbox"/> 6" solid composite (std) | <input type="checkbox"/> 8" solid composite AD11760 |
| <input type="checkbox"/> 4" wide solid composite (std) | <input type="checkbox"/> 5" solid alloy AD11740 | <input type="checkbox"/> 6" solid alloy AD11742 | <input type="checkbox"/> 8" floater composite AD11761 |
| <input type="checkbox"/> 4" x 1.25" solid alloy AD11710 | <input type="checkbox"/> 5" x 1.5" solid composite AD11720 | <input type="checkbox"/> 6" x 1.5" solid composite AD11730 | <input type="checkbox"/> 8" pneumatic composite AD11780 |
| <input type="checkbox"/> 4" wide soft roll alloy AD11806 | <input type="checkbox"/> 5" x 1.5" solid alloy AD11740 | <input type="checkbox"/> 6" x 1.5" solid alloy AD11742 | |
| | <input type="checkbox"/> 5" wide soft roll alloy AD11810 | <input type="checkbox"/> 6" wide soft roll alloy AD11820 | |
| | | <input type="checkbox"/> 6" pneumatic composite AD11750 | |

FORKS

-
- Standard forks (std)
-
- Other _____

PUSH HANDLES

- | | | | |
|------------------------------|--|---|---|
| <input type="checkbox"/> Nil | <input type="checkbox"/> Removable on grab bar AD14100 | <input type="checkbox"/> In back canes AD14140 | <input type="checkbox"/> Stroller D AD14200 |
| | <input type="checkbox"/> Dual clamp adj height AD14120 | <input type="checkbox"/> Foldable in back canes AD14160 | <input type="checkbox"/> Stroller handles removable AD14240 |

BRAKES

- | | | | |
|---|---|---|--|
| <input type="checkbox"/> Nil | <input type="checkbox"/> Pull to lock AD14510 | <input type="checkbox"/> Reverse handles | <input type="checkbox"/> Footbrake AD14660 |
| <input type="checkbox"/> Push to lock (std) | <input type="checkbox"/> Brake extensions AD14550 | <input type="checkbox"/> Scissor AD14520 | |
| <input type="checkbox"/> Push to lock (long handle) AD14551 | <input type="checkbox"/> Hill climbers AD14530 | <input type="checkbox"/> Scissor lock composite AD14570 | |

ANTI-TIPS

- | | | | |
|--|--|--|--|
| <input type="checkbox"/> Nil | <input type="checkbox"/> With plastic wheels (std) | <input type="checkbox"/> Stainless Steel with plastic wheels AD15025 | <input type="checkbox"/> Adjustable anti tips AD15010 |
| <input type="checkbox"/> Kick tube AD15040 | <input type="checkbox"/> With rollerblades AD15030 | <input type="checkbox"/> Flared w/plastic wheels AD15020
<small>(only for w/chairs smaller than "16 wide)</small> | <input type="checkbox"/> Swing under anti tips AD15060 |

ARMRESTS

- | | |
|---|--|
| <input type="checkbox"/> Nil | <input type="checkbox"/> T adjustable height with desk pad armrest AD15260 |
| <input type="checkbox"/> Foam tube swing away, lift out AD15200 | <input type="checkbox"/> T adjustable height with full length pad armrest AD15261 |
| <input type="checkbox"/> Desk pad swing away, lift out AD15210 | <input type="checkbox"/> T adjustable height desk pad armrest with ABS skirt guard AD15280 |
| <input type="checkbox"/> Full pad swing away, lift out AD15220 | <input type="checkbox"/> T adjustable height full pad armrest with ABS skirt guard AD15281 |

UPHOLSTERY

- | | | | |
|--|--|--|--|
| <input type="checkbox"/> Sling (std) | <input type="checkbox"/> To fit solid back _____ | <input type="checkbox"/> Cushion 2" AD16202 | <input type="checkbox"/> Bag on back of chair AD16680 |
| <input type="checkbox"/> No back upholstery | _____ | <input type="checkbox"/> Cushion 3" AD16203 | <input type="checkbox"/> Bag on front left hanger AD16620 |
| <input type="checkbox"/> Tension adjustable back (std) | <input type="checkbox"/> Cushion 1" AD16201 | <input type="checkbox"/> Bag under chair AD16600 | <input type="checkbox"/> Bag on front right hanger AD16620 |

SKIRT GUARDS

- | | | | |
|--|---|--|--|
| <input type="checkbox"/> Nil | <input type="checkbox"/> ABS drop in AD16110 | <input type="checkbox"/> Alloy with fixed back AD16130 | <input type="checkbox"/> Carbon Fibre folding back AD16160 |
| <input type="checkbox"/> Fabric skirt guards AD16100 | <input type="checkbox"/> ABS fabric covered AD16120 | <input type="checkbox"/> Alloy with folding back AD16140 | |

STRAPS / BELTS, GUARDS, GLOVES

- | | | |
|--|--|---|
| <input type="checkbox"/> Leg strap (std) | <input type="checkbox"/> Impact guards hangers (std) | <input type="checkbox"/> Seat belt with plastic buckle AD16500 |
| <input type="checkbox"/> Heel loops (std) | <input type="checkbox"/> Impact guards back bars AD16420 | <input type="checkbox"/> Seat belt (adult) with metal car type buckle AD16522 |
| | <input type="checkbox"/> Castor pivot covers AD16410 | <input type="checkbox"/> Hip strap 4 point belt AD16540 |
| <input type="checkbox"/> Gloves
<small>(size & style)</small> | <input type="checkbox"/> Fabric footplate cover AD11510 | |

TRAY

-
- With prong receivers AD17010
-
-
- Slides over armrests AD17000

TIE DOWN MOUNTS

-
- 2 front and 2 rear AD10320

Stallion Script Form

Fixed Frame Adjustable Wheelchair

Name _____

WHEELS**16" - 22"**

- 16" x 1.75" Composite Wheels
 18" x 1" Spoked Wheels
 18" x 1.75" Composite Wheels
 20" x 1" Spoked Wheels
 20" x 1-3/8" Spoked Wheels
 20" x 1.75" Spoked Wheels
 22" x 1" Spoked Wheels
 22" x 1-3/8" Spoked Wheels
 22" Spinerger LX Wheels (12 spoke - black only) **AD13310**

24"

- Spoked Wheels (std)
 Spinerger Day Wheels (18 spoke) **AD13300** (Choose your spoke colour) **Bk R Bl W Y**
 Spinerger LX Wheels (12 spoke) **AD13310** (Choose your spoke colour) **Bk R Bl W Y Gr Pk O**
 Spinerger LX Wheels with FlexRim (12 spoke - black only) **AD13315**
 X Core Wheels (5 spoke) **AD13108**
 Dino Wheels **AD13360** (Choose your spoke colour) **Bk R Bl Sv Go Gr Pk O LB Pu**
 24" x 1.75" BMX Wheels (std)

25"

- Spoked Wheels (std)
 Spinerger Day (18 spoke) **AD13300** (Choose your spoke colour) **Bk R Bl W Y**
 Spinerger LX (12 spoke) **AD13310** (Choose your spoke colour) **Bk R Bl W Y Gr Pk O**
 Spinerger LX Wheels with FlexRim (12 spoke - black only) **AD13315**
 X Core Wheels (3 spoke) **AD13200**
 Dino Wheels **AD13360** (Choose your spoke colour) **Bk R Bl Sv Go Gr Pk O LB Pu**
 24" x 1.95" BMX Wheels (std)

26"

- Spoked Wheels (std)
 Spinerger Day (18 spoke) **AD13300** (Choose your spoke colour) **Bk R Bl W Y**
 Spinerger LX (12 spoke) **AD13310** (Choose your spoke colour) **Bk R Bl W Y Gr Pk O**
 26" x 1.75" BMX Wheels (std)

 Spare Wheel(s) Type: _____

Tyres: _____

Pushrims: _____

Size: _____

TYRES**16" - 22"**

- 16" x 1.75" Tread (std)
 18" x 1" HP Smooth (std)
 18" x 1.75" Tread (std)
 20" x 1.75" Tread (std)
 20" x 1" HP Smooth (std)
 20" x 1-3/8" Tread (std)
 20" x 1" Solid (std)
 22" x 1" HP Smooth (std)
 22" x 1-3/8" Tread (std)
 22" x 1" Solid (std)

24"

- 24" x 1" HP Smooth (std)
 24" x 1" HP Tread (std)
 24" x 1" Solid (std)
 24" x 1-3/8" Tread (std)
 24" x 1-3/8" Solid (std)
 24" x 1-3/8" Kenda HP Tread **AD13710**
 24" x 1-3/8" Primo V-Trak Knobbly **AD13715**
 24" x 1" Kenda Ironcap Blue **AD13700**
 24" x 1" Kenda Konstrictor **AD13720**
 24" x 1" Schwalbe Right Run **AD13740**
 24" x 1" Schwalbe Marathon Evo **AD13750**
 24" x 1.75" BMX Tread (std)

25"

- 25" x 1" HP Smooth (std)
 25" x 1" Solid (std)
 25" x 1" Kenda Ironcap Blue **AD13700**
 25" x 1" Kenda Konstrictor **AD13720**
 25" x 1" Schwalbe Right Run **AD13740**
 25" x 1" Schwalbe Marathon Evo **AD13750**
 24" x 1.95" BMX Tread (std)

26"

- 26" x 1" HP Smooth (std)
 26" x 1-3/8" Tread (std)
 26" x 1" Solid (std)
 26" x 1" Schwalbe Right Run **AD13740**
 26" x 1" Schwalbe Marathon Evo **AD13750**
 26" x 1.75" BMX Tread (std)

AXLES

- Quick release axles (std) Quad release **AD12500**

SPOKE GUARDS

- Clear polycarb **AD13900** Black ABS **AD13901**

PUSHRIMS

- Anodised (std) Surge **AD13864** Natural Fit no thumb grips **AD13860** Spinerger FlexRim see Wheels
 Rubber Coated (black) **AD13850** Max Grippe **AD13870** Natural Fit with thumb grips **AD13860**
 Vinyl **AD13830** Capstan No. of projections: _____ Angle: _____ Length: _____

PUSHRIMS - POSITION

- Standard In close Onto rim

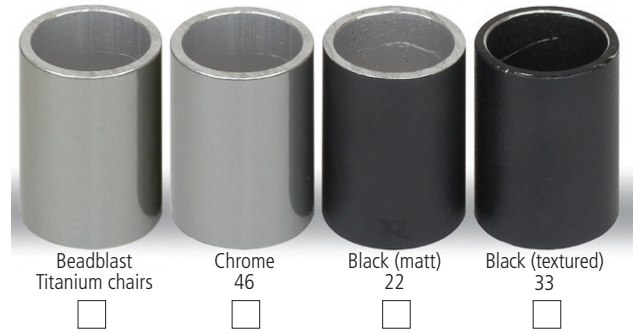
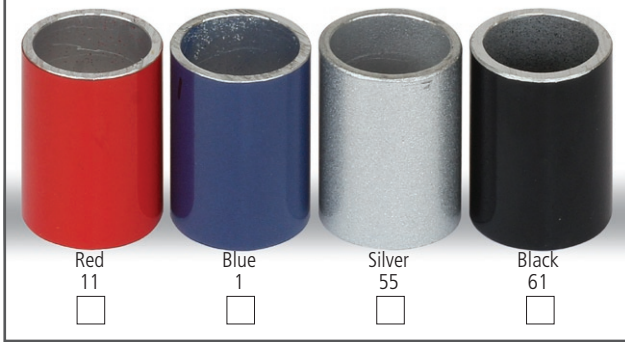
Name _____

ATTENTION

THIS IS A GUIDE TO COLOURS ONLY, how colours appear on your monitor or when printed out may vary.

Talk to us if you want your Titanium frame coloured or polished. *Colour availability is subject to change without notice.*

STANDARD & ENABLE CLIENT COLOURS



GLASS COLOURS



CANDY COLOURS



CANDY COLOURS (SPECIAL)



FLUORESCENT COLOURS

