

Shockwave XIX Script Form

Suspension Wheelchair

90356S



| CLIENT DETAILS | Date: |
|-----------------|-------|
| Name: | _____ |
| Address: | _____ |
| | _____ |
| Phone / Mobile: | _____ |
| Email: | _____ |

| | |
|-------------------|-------|
| Funder: | _____ |
| Therapist: | _____ |
| Contact Ph: | _____ |
| Email: | _____ |
| Delivery Details: | _____ |

| | | | |
|------------------|--------------------------------|-----------------------------------|---------------------------------|
| Disability: | _____ | Trial Serial No.: | _____ |
| Weight: (actual) | <input type="checkbox"/> <60kg | <input type="checkbox"/> 60-100kg | <input type="checkbox"/> >100kg |
| Height: | _____ | Shoe Size: | _____ |
| | | T-Shirt Size: | _____ |

| FABRICATION INFORMATION |
|--|
| Include details of any Power Adds and or front wheel/Freewheel (If necessary include diagrams and additional pages) |

Melrose Consultant / Dealer: _____

| | |
|-------------------|-------|
| Chair Serial No.: | _____ |
| Date Ordered: | _____ |
| Date Required: | _____ |

| | | | |
|--|-------|------------|-------|
| Script checked and approved for build: | _____ | Date: | _____ |
| Name: | _____ | Signature: | _____ |

Shockwave XIX Script Form

Suspension Wheelchair

90356S



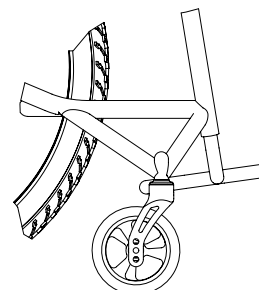
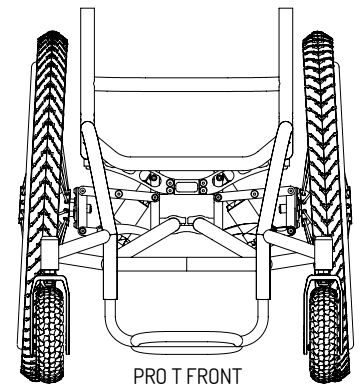
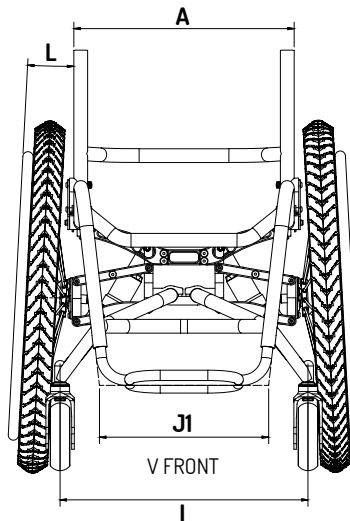
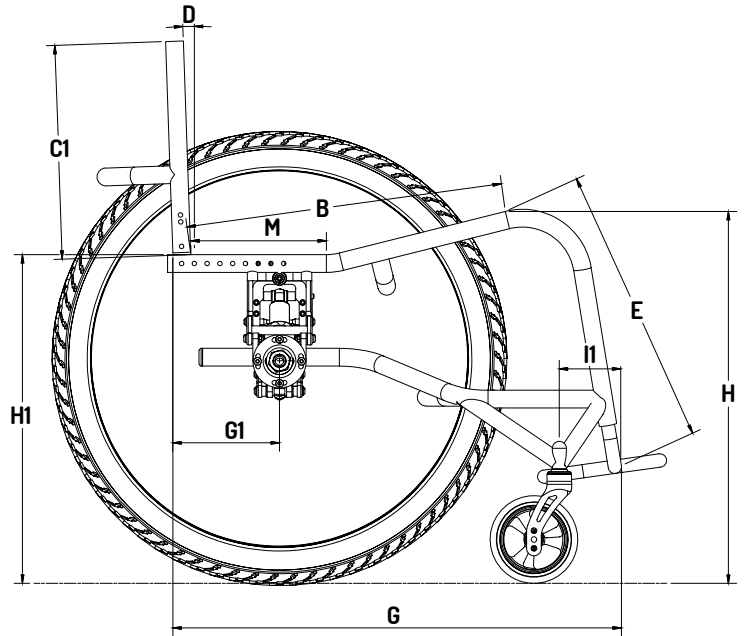
Client Name: _____

Chair Serial No.: _____

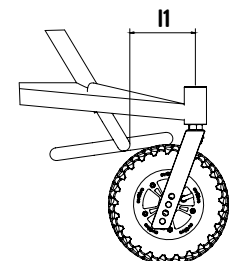
MEASUREMENTS (Refer to diagrams)

Frame: Titanium 90356TS Aluminium 90356S

| | | |
|----|---|-------------|
| A | Seat Width | 15.5" — 20" |
| B | Seat Length | |
| | <input type="checkbox"/> Growth in Seat Length AD10700 (extends at rear) | |
| | <input type="checkbox"/> 3/4" <input type="checkbox"/> 1-1/2" <input type="checkbox"/> 2-1/4" | |
| C1 | Back Height | |
| | <input type="checkbox"/> Fixed <input type="checkbox"/> Adjustable - Height | |
| | Back Rest Style | |
| | <input type="checkbox"/> Fixed <input type="checkbox"/> Folding | |
| D | Back Angle° | |
| E | Seat to Footplate | |
| | <input type="checkbox"/> Fixed <input type="checkbox"/> Adjustable - Position | |
| G | Frame Length | |
| G1 | Balance Point (COG) | |
| H | Seat to Floor - Front | |
| H1 | Seat to Floor - Rear Range | 16" - 18.5" |
| | To be confirmed on CAD drawing with tyre choice and setup. | |
| I | Castor Pivot Centres | |
| I1 | Castor Pivot Position | |
| | <input type="checkbox"/> Standard Position <input type="checkbox"/> Pivot Forward Position | |
| J1 | Footplate Width | |
| L | Camber | |
| | <input type="checkbox"/> 0° <input type="checkbox"/> 1° <input type="checkbox"/> 2° <input type="checkbox"/> 3° <input type="checkbox"/> 4° <input type="checkbox"/> 5° | |
| | Front Hanger Style | |
| | <input type="checkbox"/> V Front <input type="checkbox"/> Pro T Front | |
| M | Ergo Seat Length | |
| | Pivots | |
| | <input type="checkbox"/> Standard <input type="checkbox"/> Bullet | |



CASTOR PIVOT STANDARD POSITION



CASTOR PIVOT FORWARD POSITION

Shockwave XIX Script Form

Suspension Wheelchair

90356S

Client Name: _____

Chair Serial No.: _____

FOOTPLATE

| | |
|--|---------|
| <input type="checkbox"/> Standard | Std |
| <input type="checkbox"/> Angle adjustable | AD11520 |
| <input type="checkbox"/> ABS on footplate | AD11500 |
| <input type="checkbox"/> Fabric padded cover | AD11510 |
| <input type="checkbox"/> Carbon Fibre cover | AD11506 |
| <input type="checkbox"/> ABS with sides | AD11505 |
| <input type="checkbox"/> Custom: | |

CASTORS

| | |
|---|---------|
| <input type="checkbox"/> 4" x 1.5" alloy soft roll | AD11806 |
| <input type="checkbox"/> 5" x 1.5" wide solid composite | AD11720 |
| <input type="checkbox"/> 5" x 1.5" wide alloy | AD11721 |
| <input type="checkbox"/> 5" x 1.5" alloy soft roll | AD11810 |
| <input type="checkbox"/> 6" x 1.5" wide solid composite | AD11730 |
| <input type="checkbox"/> 6" x 1.5" wide alloy | AD11742 |
| <input type="checkbox"/> 6" x 1.5" alloy soft roll | AD11820 |
| <input type="checkbox"/> 6" pneumatic | AD11750 |
| <input type="checkbox"/> 175 x 50 offroad | AD11784 |

FORKS

| | |
|--|---------|
| <input type="checkbox"/> Standard forks - black (for std pivots only) | Std |
| <input type="checkbox"/> Ultralight bearing forks (for bullet pivots only) | AD11910 |
| <input type="checkbox"/> Frog Legs suspension | AD11950 |
| <input type="checkbox"/> Hercules forks (for bullet pivots only) | AD11952 |
| <input type="checkbox"/> Custom: | |

BRAKES

| | |
|--|---------|
| <input type="checkbox"/> Nil | |
| <input type="checkbox"/> Push to lock <input type="checkbox"/> Reverse handles | Std |
| <input type="checkbox"/> Scissor | Std |
| <input type="checkbox"/> Pull to lock | AD14510 |
| <input type="checkbox"/> Hill climbers | AD14530 |
| <input type="checkbox"/> Push to lock composite | AD14571 |
| <input type="checkbox"/> Scissor lock composite | AD14570 |
| <input type="checkbox"/> Eagle scissor <input type="checkbox"/> Black <input type="checkbox"/> Red <input type="checkbox"/> Blue | AD14573 |
| <input type="checkbox"/> Brake extensions <input type="checkbox"/> Left only <input type="checkbox"/> Right only | AD14550 |
| <input type="checkbox"/> Custom: | |

PUSH HANDLES

| | |
|--|---------|
| <input type="checkbox"/> Nil | |
| <input type="checkbox"/> Height adj dual clamp | AD14120 |
| <input type="checkbox"/> Foldable composite | AD14160 |
| <input type="checkbox"/> Fold down alloy, with rubber grip | AD14161 |
| <input type="checkbox"/> Fold down alloy, snaplock | AD14162 |
| <input type="checkbox"/> In back canes | AD14140 |
| <input type="checkbox"/> Removable on grab bar | AD14100 |
| PUSH HANDLE(S) SET AT HEIGHT: | |
| <input type="checkbox"/> Custom: | |

Shockwave XIX Script Form

Suspension Wheelchair

90356S



Client Name: _____

Chair Serial No.: _____

SKIRTGUARDS

NOTE: Folding Skirt Guards Limit Brake Options *

| | | |
|--------------------------|--|---------|
| <input type="checkbox"/> | Nil | |
| <input type="checkbox"/> | Fabric skirt guards | AD16100 |
| <input type="checkbox"/> | ABS fabric covered | AD16120 |
| <input type="checkbox"/> | ABS drop in | AD16110 |
| <input type="checkbox"/> | Carbon fibre drop in | AD16162 |
| <input type="checkbox"/> | Alloy fixed | AD16130 |
| <input type="checkbox"/> | Alloy folding | AD16140 |
| <input type="checkbox"/> | Carbon fibre fixed | AD16161 |
| <input type="checkbox"/> | Carbon fibre slotted folding (through) | AD16158 |
| <input type="checkbox"/> | Carbon fibre drop in fenders | AD16163 |
| <input type="checkbox"/> | Alloy drop in mud guard | AD16164 |
| | | |
| | SKIRT GUARDS SET AT HEIGHT: | |
| <input type="checkbox"/> | Custom: | |

UPHOLSTERY - Seating

| | | |
|--------------------------|---|---------|
| <input type="checkbox"/> | Sling - screwed down | Std |
| <input type="checkbox"/> | Sling - full straps | Std |
| | Sling Velcro: <input type="checkbox"/> Hook <input type="checkbox"/> Loop | |
| <input type="checkbox"/> | Solid alloy base | AD18030 |
| <input type="checkbox"/> | Solid carbon base | AD18031 |
| <input type="checkbox"/> | Tension adjustable back | AD16010 |
| <input type="checkbox"/> | Standard back | Std |
| <input type="checkbox"/> | No back upholstery | |
| <input type="checkbox"/> | To fit solid back: | |
| <input type="checkbox"/> | Cushion 1" | AD16201 |
| <input type="checkbox"/> | Cushion 2" | AD16202 |
| <input type="checkbox"/> | Cushion 3" | AD16203 |
| <input type="checkbox"/> | Custom: | |

UPHOLSTERY - Bags

| | | |
|--------------------------|--|---------|
| <input type="checkbox"/> | Bag on front hanger - left | AD16620 |
| <input type="checkbox"/> | Bag on front hanger - right | AD16620 |
| <input type="checkbox"/> | Bag on back of chair | AD16680 |
| <input type="checkbox"/> | Bag under chair | AD16600 |
| <input type="checkbox"/> | Bag under chair - Net | AD16650 |
| <input type="checkbox"/> | Bag under chair - quick release, small | AD16601 |
| <input type="checkbox"/> | Wallet / phone holder | AD16622 |
| <input type="checkbox"/> | Drink bottle holder | AD16624 |
| <input type="checkbox"/> | Custom: | |

UPHOLSTERY - Leg Supports

| | | |
|--------------------------|-------------------------------|---------|
| <input type="checkbox"/> | Leg strap | Std |
| <input type="checkbox"/> | Padded calf strap | AD16320 |
| <input type="checkbox"/> | Body Point calf strap - Size: | |

UPHOLSTERY - Impact Guards

(Impact guards made only if suitable after fitting anti tips, push handles etc.)

| | | |
|--------------------------|---|---------|
| <input type="checkbox"/> | Front hanger impact guards - Webbing Fabric | AD16400 |
| <input type="checkbox"/> | Front hanger impact guards - Neoprene | AD16401 |
| <input type="checkbox"/> | Front hanger impact guards - Leather | AD16402 |
| <input type="checkbox"/> | Grab bar impact guards | AD16420 |
| <input type="checkbox"/> | Bottom bar impact guards | AD16422 |

SEAT BELT

| | | |
|--------------------------|--------------------------|---------|
| <input type="checkbox"/> | Car buckle | AD16522 |
| <input type="checkbox"/> | Plastic buckle | AD16500 |
| <input type="checkbox"/> | Body Point - Size/Style: | |

Shockwave XIX Script Form

Suspension Wheelchair

90356S



Melrose
KIWI CONCEPT CHAIRS

Client Name: _____

Chair Serial No.: _____

STANDARD REAR WHEELS (for BMX - see Spare Wheels)

| | | | | |
|--------|-----|--------------------------|--------------------------|--------------------------|
| | | 22 | 24 | 25 |
| Spoked | Std | <input type="checkbox"/> | <input type="checkbox"/> | <input type="checkbox"/> |

PERFORMANCE REAR WHEELS

| | | | | |
|---|---------|--------------------------|--------------------------|--------------------------|
| | | 22 | 24 | 25 |
| Spinergy LX Lite (12 spoke) | AD13310 | <input type="checkbox"/> | <input type="checkbox"/> | <input type="checkbox"/> |
| Spinergy XLX (12 spoke cross laced) | AD13312 | | <input type="checkbox"/> | <input type="checkbox"/> |
| Spinergy Blade (18 spoke) | AD13313 | <input type="checkbox"/> | <input type="checkbox"/> | <input type="checkbox"/> |
| Spinergy Carbon CLX (18 spoke) | AD13318 | | <input type="checkbox"/> | <input type="checkbox"/> |
| Spinergy Sport SLX (24 spoke large hub heavy duty - black only) | AD13420 | | <input type="checkbox"/> | <input type="checkbox"/> |
| Spinergy Sport XSLX (24 spoke cross laced - black only) | AD13314 | | <input type="checkbox"/> | <input type="checkbox"/> |
| Spinergy BMX (507 - 18 spoke - black only) | AD13339 | | <input type="checkbox"/> | |
| Custom wheel (specify below) | | <input type="checkbox"/> | <input type="checkbox"/> | <input type="checkbox"/> |

SPINERGY SPOKE COLOUR (Optional)

(Colour spokes not available on Carbon, Sports and FlexRim wheels)

Spinergy L Spox
 Black Red Blue White Yellow

Spinergy LX, Spinergy Blade
 Black Red Blue White Yellow
 Green Purple Pink Orange

Custom -

AXLES

| | | |
|--|---------|--|
| <input type="checkbox"/> Quick Release | Std | |
| <input type="checkbox"/> Quad Release | AD12500 | |

TYRES

| | | | | |
|-----------------------------------|---------|--------------------------|--------------------------|--------------------------|
| | | 22 | 24 | 25 |
| 1.95" BMX Tread (507) | Std | | <input type="checkbox"/> | |
| 2.125" BMX Tread (507) | Std | | <input type="checkbox"/> | |
| 1-3/8" Knobbly V-Trak | Std | | <input type="checkbox"/> | |
| 1" Kenda Ironcap Blue | Std | | <input type="checkbox"/> | <input type="checkbox"/> |
| 2.1" Kenda Nevegal | Std | <input type="checkbox"/> | <input type="checkbox"/> | |
| 1" Kenda Konstrictor | AD13720 | | <input type="checkbox"/> | <input type="checkbox"/> |
| 2" Kenda Kobra | AD13724 | | <input type="checkbox"/> | |
| 1" Schwalbe Marathon Plus Evo | AD13750 | | <input type="checkbox"/> | <input type="checkbox"/> |
| 1-3/8" Schwalbe Marathon Plus Evo | AD13751 | | <input type="checkbox"/> | |
| 2" Schwalbe Billy Bonker (507) | AD13752 | | <input type="checkbox"/> | |
| 2.1" Schwalbe Smart Sam (507) | AD13753 | | <input type="checkbox"/> | |

PUSHRIMS

| | | | | | |
|--|---------|--------------------------|--------------------------|--------------------------|--------------------------|
| | | 507 | 22 | 24 | 25 |
| <input type="checkbox"/> Nil | | | | | |
| Hard Anodised | Std | <input type="checkbox"/> | <input type="checkbox"/> | <input type="checkbox"/> | <input type="checkbox"/> |
| Hard Anodised 1" | AD13855 | | | <input type="checkbox"/> | |
| Rubber coated (black) | AD13850 | <input type="checkbox"/> | <input type="checkbox"/> | <input type="checkbox"/> | <input type="checkbox"/> |
| Rubber coated 1" | AD13857 | | | <input type="checkbox"/> | <input type="checkbox"/> |
| Surge Lite | AD13864 | | <input type="checkbox"/> | <input type="checkbox"/> | <input type="checkbox"/> |
| Natural Fit Lite | AD13860 | | <input type="checkbox"/> | <input type="checkbox"/> | <input type="checkbox"/> |
| <input type="checkbox"/> With thumb grip <input type="checkbox"/> Without thumb grip | | | | | |
| Stainless Steel | AD13810 | | <input type="checkbox"/> | <input type="checkbox"/> | <input type="checkbox"/> |
| Spinergy Stainless Textured | AD13811 | | <input type="checkbox"/> | <input type="checkbox"/> | <input type="checkbox"/> |
| Spinergy Max Stainless Textured (Ergo) | AD13812 | | | <input type="checkbox"/> | <input type="checkbox"/> |
| Q Grips | AD13865 | | | <input type="checkbox"/> | <input type="checkbox"/> |
| Titanium | AD13820 | | | <input type="checkbox"/> | <input type="checkbox"/> |
| Carbolife | AD13868 | | | <input type="checkbox"/> | <input type="checkbox"/> |
| <input type="checkbox"/> Curve <input type="checkbox"/> Curve Large | | | | | |
| <input type="checkbox"/> Curve Tetra <input type="checkbox"/> Curve Tetra Large | | | | | |
| <input type="checkbox"/> Gekko <input type="checkbox"/> Gekko S | | | | | |
| <input type="checkbox"/> Quadro | | | | | |

PUSHRIMS - Position

Std In Close On to rim

SPOKEGUARDS

| | | |
|--|---------|--|
| <input type="checkbox"/> Clear polycarb | AD13900 | |
| <input type="checkbox"/> Black ABS | AD13901 | |
| <input type="checkbox"/> Custom design (specify below) | AD13910 | |
| Design name - | | |

SPARE REAR WHEELS

BMX Wheels Extra Wheels

Description:

Size:

Tyre:

Pushrim:

Setting:

To interchange with:

Shockwave XIX Script Form

Suspension Wheelchair

90356S



Client Name: _____

Chair Serial No.: _____

FRAME COLOURS

STANDARD COLOURS

| | | | | | | | | |
|---------------------------------------|---------------------------------------|--|---|---|--|--|--|--|
| | | | | | | | | |
| Red 11 <input type="checkbox"/> | Blue 1 <input type="checkbox"/> | Silver 55 <input type="checkbox"/> | Black 61 <input type="checkbox"/> | Beadblast (Titanium frame) <input type="checkbox"/> | Polished (Titanium frame) <input type="checkbox"/> | Chrome 46 <input type="checkbox"/> | Black (matt) 22 <input type="checkbox"/> | Black (textured) 33 <input type="checkbox"/> |

GLASS COLOURS

| | | | | | | | | |
|---------------------------------------|---|--|--|--|--|---|--|--|
| | | | | | | | | |
| Red 29 <input type="checkbox"/> | Raspberry 83 <input type="checkbox"/> | Violet 28 <input type="checkbox"/> | Purple 16 <input type="checkbox"/> | Blue 72 <input type="checkbox"/> | Teal 17 <input type="checkbox"/> | Green 73 <input type="checkbox"/> | Shocker Yellow 67 <input type="checkbox"/> | Gold XX <input type="checkbox"/> |

CANDY COLOURS

| | | | | | | | | |
|--|---|---|--|--|---|---|--|--|
| | | | | | | | | |
| Candy Orange 80 <input type="checkbox"/> | Candy Red 29 <input type="checkbox"/> | Candy Raspberry 83 <input type="checkbox"/> | Candy Blue 72 <input type="checkbox"/> | Candy Teal 17 <input type="checkbox"/> | Candy Emerald 70 <input type="checkbox"/> | Candy Green 73 <input type="checkbox"/> | Candy Shocker Yellow 67 <input type="checkbox"/> | Metallic Viper 42 <input type="checkbox"/> |

CANDY COLOURS (SPECIAL)

| | | | |
|---|---|---|---|
| | | | |
| Glowing Aura <input type="checkbox"/> | Chameleon Sapphire <input type="checkbox"/> | Racing Raspberry <input type="checkbox"/> | Dazzling Red <input type="checkbox"/> |

FLUORESCENT COLOURS

| | | | |
|---|--|--|--|
| | | | |
| Fluro Green 89 <input type="checkbox"/> | Fluro Yellow 44 <input type="checkbox"/> | Fluro Orange 71 <input type="checkbox"/> | Fluro Pink 88 <input type="checkbox"/> |

THIS IS A GUIDE TO COLOURS ONLY, HOW COLOURS APPEAR ON YOUR MONITOR OR WHEN PRINTED OUT MAY VARY.
Talk to us if you want your Titanium frame coloured or polished. *Colour availability is subject to change without notice.*