

# Kea Script

Childrens Fixed Frame Day Wheelchair 90700

**To Order** Fill in the frame dimensions and features required. For variations describe in detail on a separate page. If you have any further questions contact us at the address at the bottom of the page.

**SEND FORM**  
If online, click here to send via e-mail

Date \_\_\_\_\_

Delivery details \_\_\_\_\_

Name \_\_\_\_\_

Address \_\_\_\_\_

Therapist details \_\_\_\_\_

Phone \_\_\_\_\_

Fax / Cell \_\_\_\_\_

Required by \_\_\_\_\_

Email \_\_\_\_\_

**TRIAL CHAIR REF:** \_\_\_\_\_

Disability \_\_\_\_\_ Weight \_\_\_\_\_ Height \_\_\_\_\_ Shoe Size \_\_\_\_\_ T-Shirt Size \_\_\_\_\_

## MEASUREMENTS (Refer to diagram below)

**Growable Sizes** Sizes up to 12" wide are growable up to 15" wide maximum

**A** Seat width  8"  10"  12"   
2" growable 3" growable 3" growable

**E** Seat to footplate \_\_\_\_\_

**I** Footplate width \_\_\_\_\_

**B** Seat depth (from 8" to a maximum of 16") \_\_\_\_\_

**F** Seat to floor - front \_\_\_\_\_

**J** Camber (0° or 3°) \_\_\_\_\_

**C** Back height \_\_\_\_\_

**G** Seat to floor - rear \_\_\_\_\_

**Back Style**

Folding Back

**D** Back angle (from 0° to a maximum of 10°) \_\_\_\_\_

**H** Balance Point \_\_\_\_\_

**K** Front Style

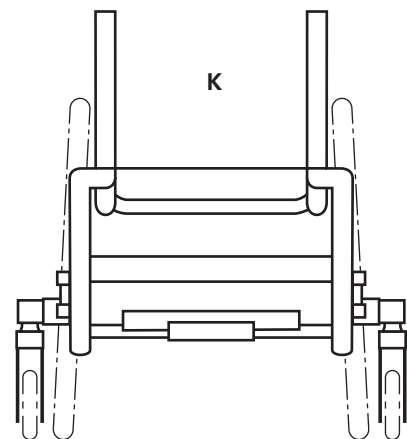
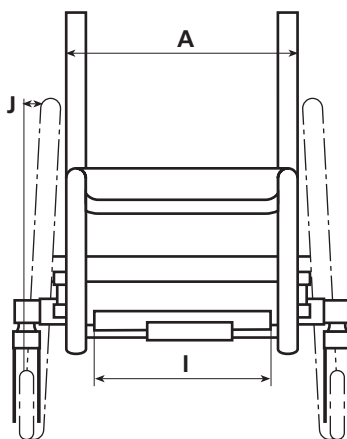
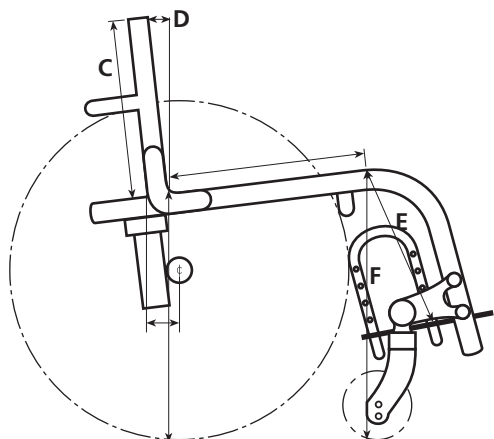
Standard

Flared Front AD10240

**IMPORTANT** Ensure measurements C, E, F, G provide allowance for the cushion thickness

## ADDITIONAL NOTES

(you can type here)



Name \_\_\_\_\_

## FOOTPLATE

- One piece flip back (std)       Fixed angle adjustable (std)       Fabric padded cover on fixed or angle adjustable footplate **AD11510**

## CASTORS

- 3" solid (std)       4" solid composite (std)       5" solid composite (std)       5" x 1.5" solid alloy **AD11740**  
 4" x 1.25" solid alloy **AD11710**       5" solid alloy **AD11740**       5" wide soft roll alloy **AD11810**  
 4" wide soft roll alloy **AD11806**       5" x 1.5" solid composite **AD11720**

## FORKS

- Standard adjustable forks (std)

## PUSH HANDLES

- Nil       In back canes **AD14140**       Single stroller (umbrella shaped handle mounted on grab bar) **AD14208**  
 Removable single **AD14150**      Height from floor to top of handle

## BRAKES

- Nil       Push to lock (std)       Scissor Lock Composite **AD14570**       Brake extension left **AD14550**  
 Pull to lock **AD14510**       Hill climbers **AD14530**       Brake extension right **AD14550**

## ANTI-TIPS

- Nil       Pair of single anti-tips with plastic wheels (std)  
 Pair of single anti-tips with rollerblades **AD15030**       Pair of flared single anti-tips with plastic wheels **AD15020**  
 Pair of swing under single anti-tips with plastic wheels **AD15060**

## ARMRESTS

- Nil       T height adj childs (8") pad armrest with ABS skirt guard **AD15279**  
 T height adjustable with childs (8") pad armrest **AD15259**       T height adj desk (10") pad armrest with ABS skirt guard **AD15280**  
 T height adjustable with desk (10") pad armrest **AD15260**

## SKIRT GUARDS

- Nil       Fabric skirt guards (std)       ABS drop in **AD16110**       Mud guards **AD16164**

## UPHOLSTERY

- Sling (std)       No Cushion       Cushion 2" **AD16202**       Bag on back of chair **AD16680**  
 Tension adjustable back (std)       Cushion 1" **AD16201**       Spare Cushion cover **AD16250**

## STRAPS / BELTS, IMPACT GUARDS

- Leg strap (std)       Seat belt with plastic buckle (std)       Impact guards (std)  
 Hip strap, 4 point **AD16540**       Seat belt (childs) with metal car type buckle **AD16520**       Other \_\_\_\_\_

## TRAY

- Tray with prong receivers **AD17010**

## TIE DOWNS

- 2 front, 2 rear **AD10320**  
 Other \_\_\_\_\_

Name \_\_\_\_\_

**WHEELS****TYRES****12.5"****12.5"** 12.5" Transit Wheels 12.5" Tread (std) 12.5" Solid Tread (std)**16"****16"** 16" x 1.75" Composite Wheels 16" x 1.75" Tread (std) 16" x 1.75" Solid Tread (std)**18"****18"** 18" x 1" Spoked Wheels 18" x 1" HP Smooth (std) 18" x 1.75" Composite Wheels 18" x 1.75" Grey Tread (std)**20"****20"** 20" Spoked Wheels 20" x 1" HP Smooth (std) 20" x 1.75" Spoked Wheels 20" x 1 3/8" Tread (std) 20" x 1 3/8" Composite Wheels 20" x 1 3/8" Solid Tread (std) 20" X-Core Composite Wheels 20" x 1.75" Grey Tread (std)**22"****Only Suitable for the 12" Frame****22"** 22" Spoked Wheels 22" x 1" HP Smooth (std) 22" X-Core Composite Wheels 22" x 1 3/8" Tread (std) 22" Spinergy LX Wheels (12 spoke - black only) **AD13310** 22" x 1 3/8" Solid Tread (std) Spare Wheel(s) Type: \_\_\_\_\_

Tyres: \_\_\_\_\_ Pushrims: \_\_\_\_\_ Size: \_\_\_\_\_

**AXLES** Quick release axles (std) Quad release **AD12500****PUSHRIMS** Anodised (std) Rubber Coated (black) **AD13850****PUSHRIMS - POSITION** Standard In close Onto rim**SPOKE GUARDS** Nil Clear polycarb **AD13900** Black ABS **AD13901****ADDITIONAL NOTES**

(you can type here)

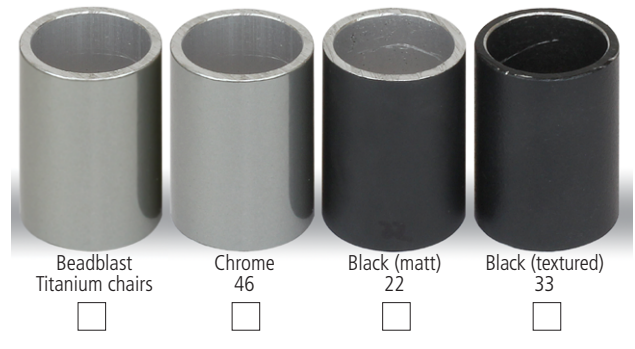
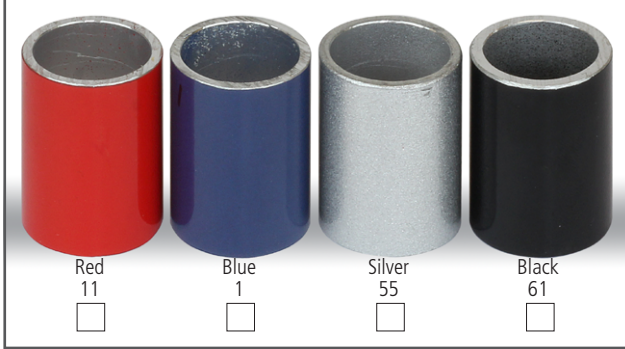
Name \_\_\_\_\_

**ATTENTION**

**THIS IS A GUIDE TO COLOURS ONLY, how colours appear on your monitor or when printed out may vary.**

Talk to us if you want your Titanium frame coloured or polished. *Colour availability is subject to change without notice.*

**STANDARD & ENABLE CLIENT COLOURS**



**GLASS COLOURS**



**CANDY COLOURS**



**CANDY COLOURS (SPECIAL)**



**FLUORESCENT COLOURS**



Revision: 7.2.0 - Kea - August 2019