

Gazelle Script Form

Tennis Sports Wheelchair

90825



To Order Fill in the frame dimensions and features required. For variations describe in detail on a separate page. If you have any further questions contact us at the address at the bottom of the page.

SEND FORM
If online, click here to send via e-mail

Date _____ Delivery details _____

Name _____

Address _____

Phone _____

Fax / Cell _____

Email _____

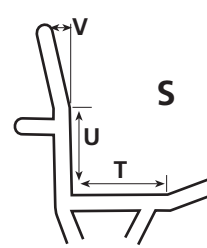
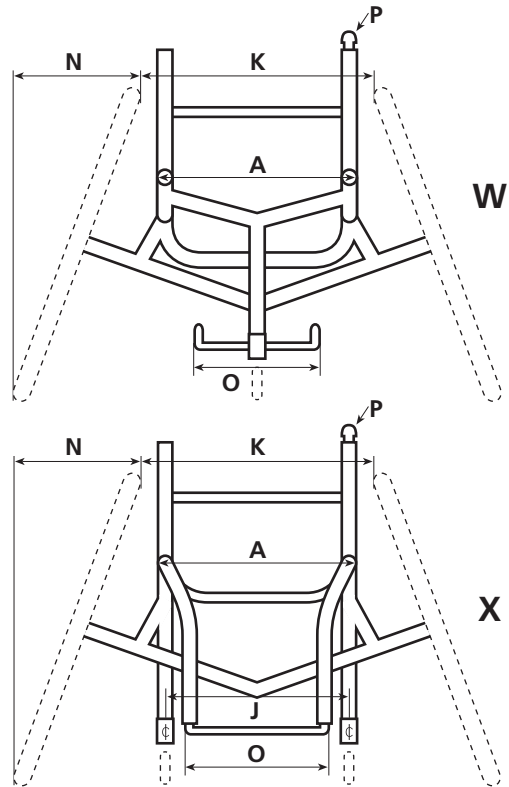
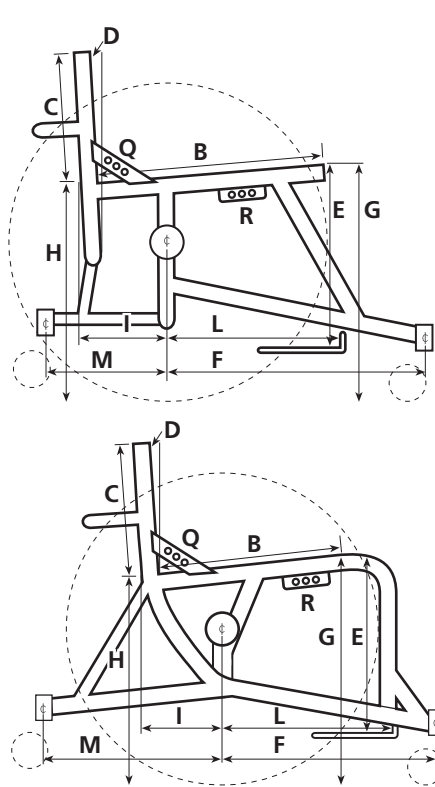
Required by _____
(Delivery is normally 4-6 weeks from order confirmation)

Disability _____ Grading _____ Weight _____ Height _____ Shoe Size _____ T-Shirt Size _____

MEASUREMENTS (Refer to diagrams)

FRAME MATERIALS Aluminium (std) Titanium 90825T

- | | | | |
|-----------------------------------|--|--|--|
| A Seat Width - Rear _____ | F Wheelbase
(centre of camber bar to centre of castor pivot) _____ | M Anti-Tip Position _____ | R <input type="checkbox"/> Binding Mounts
(seat rail mounted) AD20315 (A)
AD20318 (T) |
| A Seat Width - Front _____ | G Seat to Floor - Front _____ | N Camber _____ | S <input type="checkbox"/> Ergo Seat AD10220 (A)
AD10221 (T) |
| A Back Width _____ | H Seat to Floor - Rear _____ | O Foot-plate Width _____ | T Ergo Seat - Length _____ |
| B Seat Length _____ | I Balance Point _____ | | U Ergo Back - Height _____ |
| C Back Height _____ | J Pivot Centres _____ | | V Ergo Back - Angle _____ |
| D Back Angle° _____ | K Between Wheels _____ | P <input type="checkbox"/> Flexible Backpost Cap AD20310
(fixed back height only) | STYLE |
| E Seat to Foot-plate _____ | L Foot-plate Position _____ | Q <input type="checkbox"/> Binding Mounts _____ | W <input type="checkbox"/> 3 wheel (excluding anti-tips) |
| | | | X <input type="checkbox"/> 4 wheel |



Gazelle Script Form

Tennis Sports Wheelchair

Name _____

FOOTPLATE

- No footplate Alloy tube footplate (std) Alloy footplate cover **AD11690** Angle adj footplate **AD11520**

ANTI-TIPS

- Single swivel **AD15100 (A)**
AD15102 (T) Twin swivel **AD15150 (A)**
AD15151 (T) Single swivel custom height adjustable **AD15101**

BEARINGS

- Standard bearings Melrose hybrid ceramic bearings **AD20400**

CASTORS

- Rollerblade 72mm Rollerblade 76mm Rollerblade 80mm Other _____

UPHOLSTERY

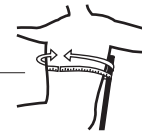
- Seat sling (std) Fixed width back (std) No cushion Cushion 3" **AD16203**
 Seat sling wrap-around Adjustable back upholstery Cushion 1" **AD16201** Cushion 1" (high density) **AD16221**
 Solid seat **AD18030** adjustable width/height **AD16050** Cushion 2" **AD16202** Cushion 2" (high density) **AD16220**

SKIRT GUARDS

- No skirt guards Fabric skirt guards **AD16100** Alloy skirt guards **AD16125 (A)**
AD16130 (T) (height) _____
(welded to alloy frame, bolted to titanium frame)
 ABS rigid skirt guards **AD16111** (height) _____

STRAPS, IMPACT GUARDS

- Front hanger covers **AD16400** Hip strap - webbing **AD16510** Knee - ratchet **AD16351**
 Back bar cover **AD16420** Hip strap - ratchet **AD16550** Leg strap **AD16330**
 Foot strap - webbing (std) Chest strap **AD45210**
 Foot strap - ratchet **AD16350** (measure around your chest and seat back)



ACCESSORIES

- Wheel bag (black with choice of trim colour) **AD16780** (Choose your trim colour) **Bk R Bl Y Gr Pk Pu** Custom Wheel Bag **AD16781**
(describe below)

ADDITIONAL NOTES

(you can type here)

Gazelle Script Form

Tennis Sports Wheelchair

Name _____

WHEELS**TYRES****24"****24"**

- Spoked Wheels (std)
- Spinergy SL Wheels (24 spoke, black spokes only) **AD13410**
- Spinergy SLX Wheels (24 spoke, black spokes only) **AD13420**

- 24" x 1" Kenda Ironcap Blue (std)
- 24" x 1" Kenda Konstrictor (std)
- 24" x 1" Schwalbe Right Run **AD13740**

25"**25"**

- Spoked Wheels **AD13060**
- Spinergy SL Wheels (24 spoke, black spokes only) **AD13410**
- Spinergy SLX Wheels (24 spoke, black spokes only) **AD13420**

- 25" x 1" Kenda Ironcap Blue (std)
- 25" x 1" Kenda Konstrictor (std)
- 25" x 1" Kenda Kaliente **AD13721**
- 25" x 1" Schwalbe Right Run **AD13740**

26"**26"**

- Spoked Wheels **AD13060**
- Spinergy SL Wheels (24 spoke, black spokes only) **AD13410**
- Spinergy SLX Wheels (24 spoke, black spokes only) **AD13420**

- 26" x 1" Kenda Ironcap Blue (std)
- 26" x 1" Schwalbe Right Run **AD13740**

PUSH-RIMS

- Anodised alloy (std) Rubber coated (red) **AD13845** Vinyl coated **AD13830**

PUSH-RIMS - POSITION

- Standard In close Onto rim

SPARE WHEELS as above

- Spoked Wheel 24" **AD13507** (quantity) _____
- Spoked Wheel 25"/26" **AD13561** (quantity) _____
- Spinergy SL Wheel **AD13641** (quantity) _____
- Spinergy SLX Wheel 1/2" axle **AD13651** (quantity) _____

TYRES, TUBES and AXLES on SPARE WHEELS

- Tube fitted **AD13695** (quantity) _____
- Kenda Tyre fitted **AD13701** (quantity) _____
- Schwalbe Tyre fitted **AD13741** (quantity) _____
- Axle 1/2" **AD12508** (quantity) _____

PUSH RIMS for SPARE WHEELS as above

- Push-Rim Anodised **AD13858** (quantity) _____
- Push-Rim Rubber Coated (Red) **AD13846** (quantity) _____
- Push-Rim Vinyl Coated **AD99999** (quantity) _____

EXTRA AXLES

- Axles 1/2" **AD12514** (quantity) _____

EXTRA BEARINGS

- Steel R8 1/2" **AD20405** (quantity) _____
- Ceramic R8 1/2" **AD20407** (quantity) _____

ADDITIONAL NOTES

(you can type here)

Name _____

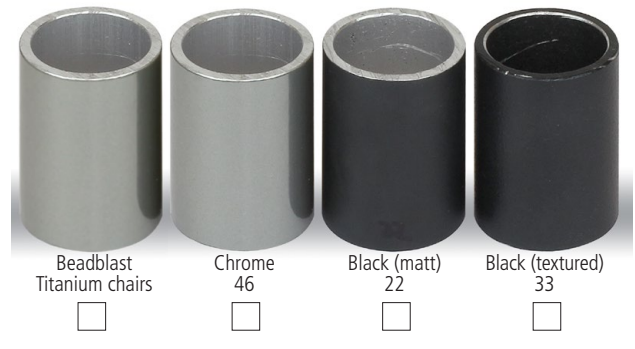
ATTENTION

THIS IS A GUIDE TO COLOURS ONLY, how colours appear on your monitor or when printed out may vary.

Talk to us if you want your Titanium frame coloured or polished.

Colour availability is subject to change without notice.

STANDARD & ENABLE CLIENT COLOURS



GLASS COLOURS



CANDY COLOURS



CANDY COLOURS (SPECIAL)



FLUORESCENT COLOURS

